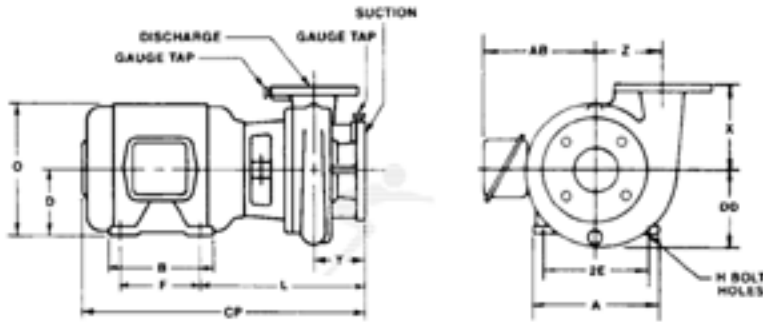


# MECHANICAL EQUIPMENT - SECTION 13-150.200

## SPECIFICATIONS



\_\_\_\_\_ GPM \_\_\_\_\_ FT.

MATERIALS OF CONSTRUCTION:

BRONZE FITTED  ALL IRON

ELECTRICAL DATA: \_\_\_\_\_ HP

\_\_\_\_\_ VOLTS \_\_\_\_\_ CY. \_\_\_\_\_ PH.

MOTOR ENCL. \_\_\_\_\_

SPEC. CONSTR. \_\_\_\_\_

APPROXIMATE WEIGHT \_\_\_\_\_ LBS.

STANDARD SEAL

MAXIMUM WORKING PRESSURE 175 PSI

SIZE OF PUMP AND DISCHARGE	SUCTION	PUMP DIMENSIONS (inches)			
		DD	X	Y	Z
4"	5"	8-5/8	8	5	7

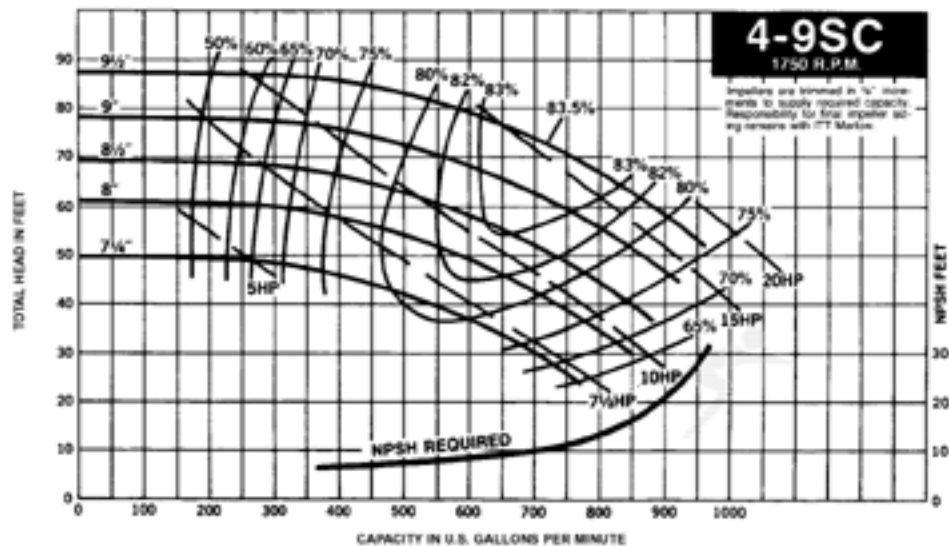
125# ANSI FLANGE DIMENSIONS (inches)				
PIPE SIZE OF FLANGE	O.D. OF FLANGE	DIA. OF BOLT CIRCLE	NO. OF BOLTS	SIZE OF BOLTS
4	9	7-1/2	8	5/8
5	10	8-1/2	8	3/4

MOTOR FRAME	H.P. FOR 3 PHASE MOTORS*		H.P. FOR 1 PHASE MOTORS*	DIMENSIONS (INCHES)									
	1750	1150	1750	A (Max.)	AB (Max.)	B (Max.)	CP (Max.) Std. Seal	D	2E	F	H	L Std. Seal	O (Max.)
213JM	7-1/2	3	5	10-1/2	10-3/4	7-1/2	26-1/4	5-1/4	8-1/2	5-1/2	13/32	14-5/8	11-1/8
215JM	10	5	7-1/2			9	27-3/4			7			
254JP	15	—	—	12-1/2		10-3/4	34-5/8	6-1/4	10	8-1/4	17/32	19	13-1/8
256JP	20					12-1/2	36-3/8			10			

Dimensions are subject to change.  
 Not to be used for construction purposes unless certified.  
 \* All frame sizes listed are for ODP motors.

### PUMP PERFORMANCE CURVE

Curves based on shop test using clear cold water at a temperature of not over 85°F. Performance is guaranteed at indicated operating point only.



### 4-9SC END-SUCTION CLOSE COUPLED PUMP

CATALOG NO. (SPECIAL ORDER)



### RECREONICS, INC.

4200 Schmitt Avenue  
 Louisville, KY 40213